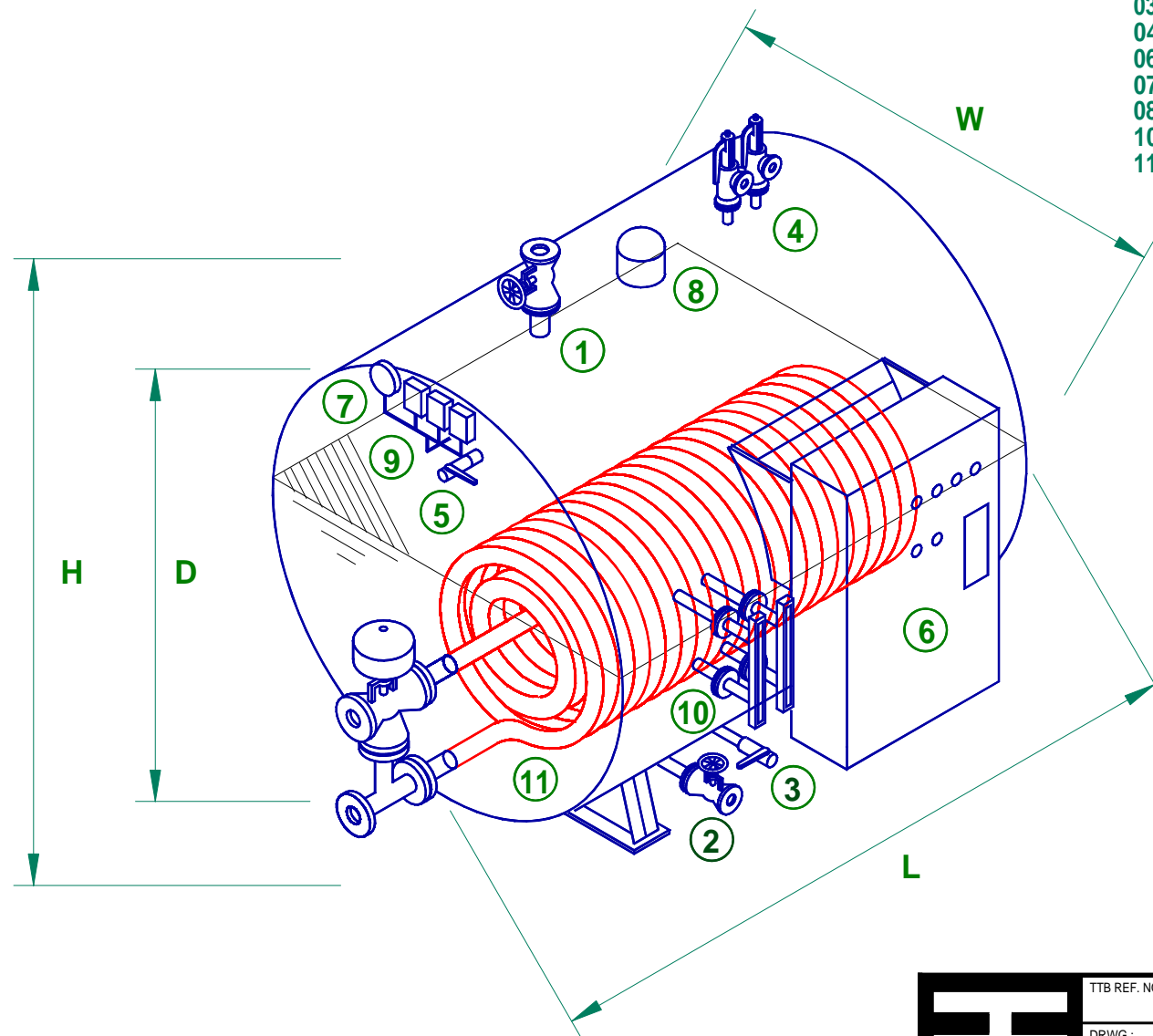
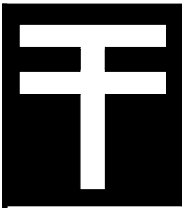
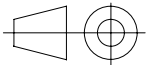


PRELIMINEARY SKETCH - NOT BINDING

- 01 Steam Outlet
- 02 Feed Water Supply
- 03 Drain for Blow-Down
- 04 Safety Valve(s)
- 05 Steam Blow-Out
- 06 Control Box
- 07 Pressure Gauge
- 08 Water Level Control
- 09 Steam Pressure Control
- 10 Water Level Gauge
- 11 Heat Exchanging Coil



	TTB REF. NO.:	SUBJECT / THEMA:	
	DRWG.: <b>reboil2</b>	<b>REBOILER DESIGN GENERAL SKETCH</b>	
	DATE / DATO:		
	SIGN.:	PROJECT / PROJEKT:	
	CLIENT / KLIENT:	Only CAD corrections	